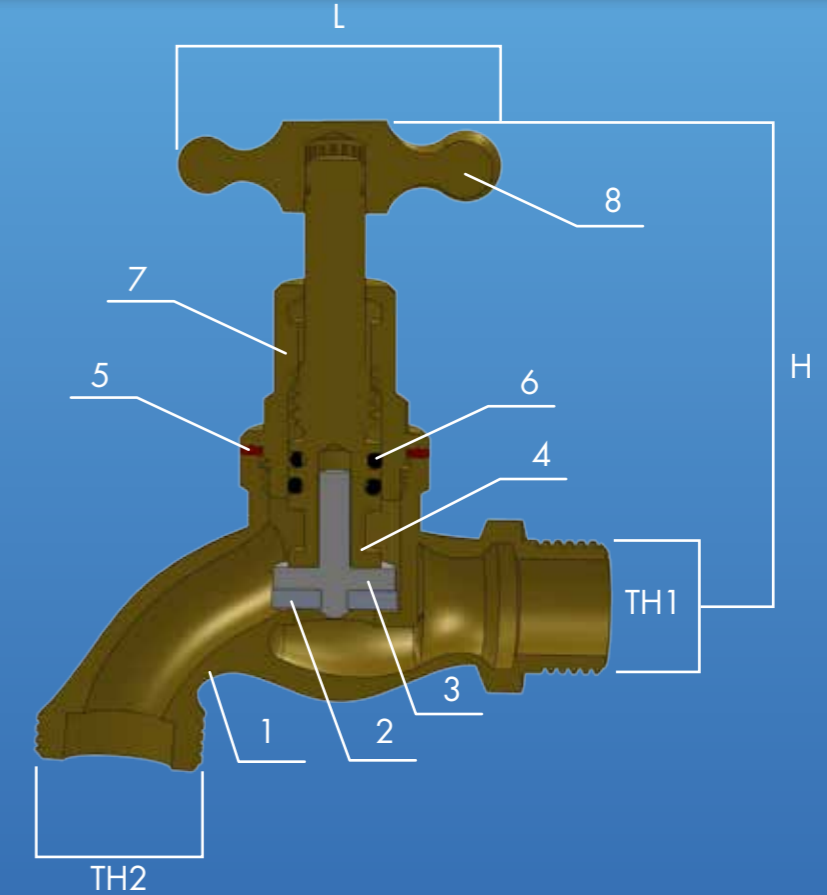


## TH Series



### Features

- Double O Ring
- 100% Pressure tested

### Specifications

- Working temperature 60°C
- Maximum pressure rating 2000Kpa

### Sizing Chart (MM)

| Size | H  | L  | TH1   | TH2   |
|------|----|----|-------|-------|
| TH03 | 79 | 51 | R1/2" | G3/4" |
| TH05 | 79 | 51 | R1/2" | G3/4" |
| TH10 | 79 | 51 | R1/2" | G3/4" |
| TH12 | 79 | 51 | R1/2" | G3/4" |
| TH14 | 80 | 51 | R3/4" | G1"   |
| TH16 | 80 | 51 | R3/4" | G1"   |

### Material Chart

| Number | Part    | Material |
|--------|---------|----------|
| 1      | Body    | DR Brass |
| 2      | Seal    | EPDM     |
| 3      | Jumper  | PA       |
| 4      | Spindle | DR Brass |
| 5      | Washer  | Fibre    |
| 6      | O-ring  | EPDM     |
| 7      | Cap     | DR Brass |
| 8      | Handle  | Brass    |