

RAIN HARVESTING

by Blue Mountain Co

Sliding Gate Valves

Plastic Paddle



Installation and Specification Guide

PRODUCT DETAILS

This simple to use sliding gate valve with a plastic paddle allows you to easily drain charged lines.

Code	Size	Country
HW1902	3"	USA
HW5902	68mm	UK
HW3902	80mm	SA
HW0902	90mm	AU/Other
HW0921	100m	Countries

Installation

WHAT'S IN THE BOX?

- Sliding Gate Valve

TOOLS/MATERIALS YOU MAY REQUIRE

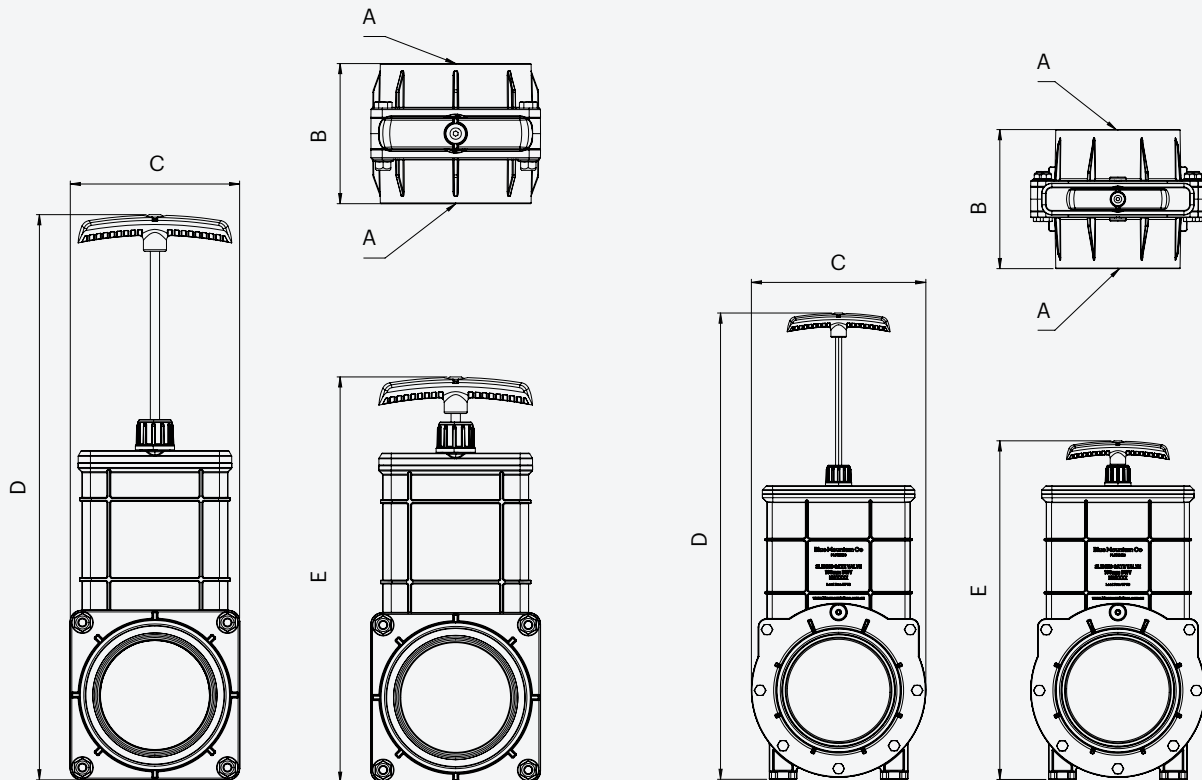
- Marker Pen
- Tape Measure
- Saw
- Solvent weld glue
- Priming fluid

SLIDING GATE VALVES - PLASTIC PADDLE

- 1 - Select your desired installation point. The Sliding Gate Valve can be installed in the vertical or horizontal position.
- 2 - Measure and remove a 35mm section of pipe at your desired installation point. Ensure all cut edges are clean and smooth.
- 3 - Use priming fluid to clean inside the sockets of the Sliding Gate Valve and outside of the pipes you will be gluing the valve to.
- 4 - Apply solvent weld glue first to inside the sockets of the Sliding Gate Valve and then to the outside of the pipes, bring together and ensure pipes are inserted fully into the sockets of the Sliding Gate Valve. Hold for a minimum of 60 seconds or until secure.

Product Specifications

Sliding Gate Valves Plastic Paddle



90mm & below

100mm

Dimensions & Pipe Fittings

COUNTRY	CODE	A	B	C	D	E
USA	HW1902	3" SCH40 F	5.09"	4.37"	14.17"	10.20"
UK	HW5902	68 F	135	111	360	259
SA	HW3902	80 F	140	111	360	259
AU/Other Countries	HW0902	90 F	91	111	360	259
	HW0921	100 F	136	170	460	331

All dimensions are in mm unless otherwise stated.

Fitting guide:

F = Female / Socket Fitting

M = Male / Spigot Fitting (Pipe size)

IP = In-Pipe Fitting

SPECIFICATIONS

Pressure Ratings	Size	Paddle Type	Max Pressure (kPa)	Mid Flow Max Crossing Pressure (kPa)
HW1902	3"	Plastic Paddle	210	5
HW5902	68mm	Plastic Paddle	210	5
HW3902	80mm	Plastic Paddle	210	5
HW0902	90mm	Plastic Paddle	210	5
HW0921	100mm DWV	Plastic Paddle	210	5



A common misconception about collecting rainwater is that all you need is a roof, a tank and some rain. This 'tanking' approach cannot always be relied on to deliver the volume – or quality – of water that you require. That is where we can help.

With some thought, your rain harvesting system can provide you with cleaner water and lots of it. Whether you're completely reliant on tank water or wanting to keep the garden green, our simple steps will help you achieve your goal.

The Rain Harvesting approach to rainwater collection involves using tested and proven products to make quality rainwater available for use in and around your property. You don't need much to get started and you will be surprised how easy it is to get the most out of your rainwater system.

[How can we help you?](#)

DISCLAIMER This product specification is not a complete guide to product usage. Further information is available from Rain Harvesting Pty Ltd and from the Installation and Operating Instructions. This specification sheet must be read in conjunction with the Installation and Operating Instructions and all applicable statutory requirement. Product specifications may change without notice. © Rain Harvesting Pty Ltd

RAIN HARVESTING

by Blue Mountain Co

For more information or to find out
how we can help, just give us a call on

+61 7 3248 9600

Or visit our website at

rainharvesting.com