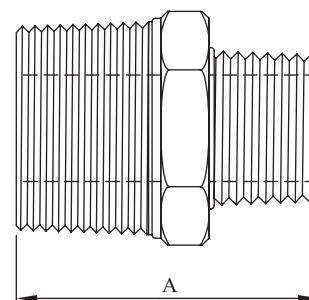


Stainless Steel Reducing Hexagon Nipple

316 '150lb' Stainless Steel Reducing Hex Nipple			
AAP CODE	IMPERIAL SIZE	A	APPROX KG/PC
SSN0806	1/4 x 1/8	30	0.02
SSN1008	3/8 x 1/4	35	0.02
SSN1508	1/2 x 1/4	40	0.03
SSN1510	1/2 x 3/8	36	0.03
SSN2010	3/4 x 3/8	41	0.1
SSN2015	3/4 x 1/2	42	0.1
SSN2510	1 x 3/8	45	0.1
SSN2515	1 x 1/2	48	0.1
SSN2520	1 x 3/4	49	0.1
SSN3215	1 1/4 x 1/2	50	0.2
SSN3220	1 1/4 x 3/4	51	0.2
SSN3225	1 1/4 x 1	51	0.2
SSN4020	1 1/2 x 3/4	50	0.2
SSN4025	1 1/2 x 1	50	0.2
SSN4032	1 1/2 x 1 1/4	53.8	0.2
SSN5020	2 x 3/4	57	0.4
SSN5025	2 x 1	57.5	0.3
SSN5032	2 x 1 1/4	60	0.3
SSN5040	2 x 1 1/2	62	0.3
SSN6540	2 1/2 x 1 1/2	65.5	0.5
SSN6550	2 1/2 x 2	71	0.6
SSN8040	3 x 1 1/2	62.5	1.0
SSN8050	3 x 2	75	0.9
SSN8065	3 x 2 1/2	77	1.1
SSN10050	4 x 2	80	2.0
SSN10065	4 x 2 1/2	83	1.8
SSN10080	4 x 3	87	1.6



Stainless Steel Weld Nipples

316 '150lb' Stainless Steel Weld Nipples			
AAP CODE	IMPERIAL SIZE	A	APPROX KG/PC
SSWN08	1/4	30	0.02
SSWN10	3/8	30	0.02
SSWN15	1/2	33	0.03
SSWN20	3/4	39	0.06
SSWN25	1	40	0.08
SSWN32	1 1/4	50	0.15
SSWN40	1 1/2	50	0.19
SSWN50	2	50	0.21
SSWN65	2 1/2	60	0.41
SSWN80	3	70	0.59
SSWN100	4	80	0.95

