

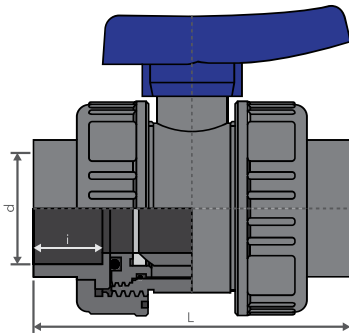
## Polypipe Effast - UPVC & ABS



↑  
**UPVC**  
**General Purpose**  
Suits water applications.



↑  
**ABS**  
**Industrial Purpose**  
Suits water and light chemical applications.



Size	UPVC EPDM Code	ABS EPDM Code	PN	L	i
0.5"	● 751005	● 750005	16	80	16
0.75"	● 751007	● 750007	16	92	19
1"	● 751010	● 750010	16	106	22
1.25"	● 751012	● 750012	16	121	26
1.5"	● 751015	● 750015	16	143	31
2"	● 751020	● 750020	16	172	39
3"	● 751030	● 750030	16	242	51
4"	● 751040	● 750040	16	284	61

4.1.25      4.1.26

### UPVC - General Purpose

- + Solvent socket ends.
- + Full bore ball locked in place on both sides.
- + Machined ball to ensure the best sealing.
- + Sealing adjustment and disassembling by key incorporated on the handle.
- + PVC-U compound for contact with potable water according to European, UK and USA regulations.
- + Marine Application approval.
- + Compliant with requirements of Pressure Equipment Directive 2014/68/EU, Annex III, Module A2.

### ABS - Industrial Purpose

- + Solvent socket ends.
- + Floating full bore ball locked in place on both sides.
- + Machined ball to ensure the best sealing.
- + Sealing adjustment and disassembling by key incorporated on the handle.
- + Compliant with requirements of Pressure Equipment Directive 2014/68/EU, Annex III, Module A2.
- + Machined stem seat.
- + PTFE ball seat.
- + Ergonomic handle with integrated tool for removing of union bushings and adjust the call seat carrier.
- + Potable water approval.
- + Marine Application approval.
- + CE approval.



Certificate of conformity for Valves in thermoplastic material, according to the requirements of Annex III, Module A2 of the Pressure Equipment Directive 2014/68/EU.



BRITISH  
STANDARDS

Kitemark licence for PVC-U plastic piping systems for water supply, according to BS EN ISO 1452-3.

Kitemark licence for ABS plastic piping systems for water supply, according to BS 5392 part 1.



BUREAU  
VERITAS

Type Approval Certificate for thermoplastic material Pipes and Fittings for Marine Applications.



Certified to  
NSF / ANSI 61

## Asahi Labcocks



Size	Code	Connections	L
0.25"	● 1076002	F-NPT Ends	71
0.25"	● 1077002	M-NPT Ends	66
0.25"	● 1078002	M-NPT x Hose	88
0.25"	● 1079002	Hose Ends	111
0.25"	● 1080002	M-NPT x F-NPT	68.5
0.25"	● 1082002	F-NPT x Hose	91
0.25"	● 1089002	M-NPT x 90° Elbow Hose	93

4.1.27

- + **Asahi Valves - 3 year warranty**
- + All PVC labcock valves are NSF-61 approved.
- + UPVC body and EPDM seals
- + Pressure rated up to 1000kpa (PN10).
- + Precise fingertip control.
- + Calibrated flow indicator.
- + Rugged unibody construction with sturdy stem.
- + All sizes rated for full vacuum service.
- + 90° turn operation with lever handle.
- + Cv = 1.6.

**Perfect for  
sampling and  
dosing lines in  
water treatment  
applications**



Certified to  
NSF / ANSI 61