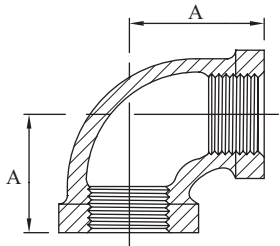
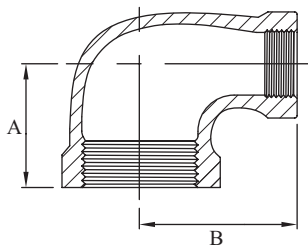


Galvanised Malleable Female-Female Elbow 90 Degree



Galvanised Malleable Female-Female Elbow 90 Degree			
AAP CODE	IMPERIAL SIZE	A	APPROX KG/PC
LE06	1/8	17.5	0.03
LE08	1/4	20.6	0.05
LE10	3/8	24.1	0.1
LE15	1/2	28.5	0.1
LE20	3/4	33.3	0.2
LE25	1	38.1	0.3
LE32	1-1/4	44.5	0.4
LE40	1-1/2	49.3	0.6
LE50	2	57.2	0.8
LE65	2-1/2	68.6	1.5
LE80	3	78.2	2.3
LE94	4	96.3	4.1
LE96	6	130.3	10.7

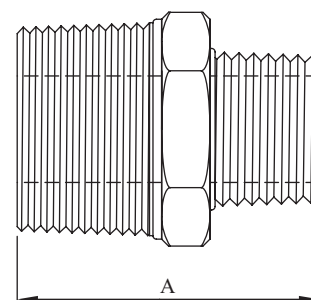
Galvanised Malleable Female-Female Reducing Elbow 90 Degree



Galvanised Malleable Female-Female Reducing Elbow 90 Degree				
AAP CODE	IMPERIAL SIZE	A	B	APPROX KG/PC
LE1510	1/2 X 3/8	26.4	26.2	0.09
LE2010	3/4 X 3/8	28.5	28.7	0.12
LE2015	3/4 X 1/2	30.5	31.0	0.14
LE2510	1 X 3/8	31.0	32.1	0.16
LE2515	1 X 1/2	32.0	35.5	0.20
LE2520	1 X 3/4	34.8	36.8	0.23
LE3215	1-1/4 X 1/2	34.0	38.9	0.27
LE3220	1-1/4 X 3/4	36.8	41.2	0.30
LE3225	1-1/4 X 1	40.1	42.4	0.37
LE4015	1-1/2 X 1/2	35.0	42.0	0.33
LE4020	1-1/2 X 3/4	38.6	44.5	0.39
LE4025	1-1/2 X 1	41.9	45.7	0.43
LE4032	1-1/2 X 1-1/4	46.2	47.8	0.51
LE5015	2 X 1/2	37.6	47.5	0.47
LE5020	2 X 3/4	40.6	50.0	0.54
LE5025	2 X 1	43.9	51.3	0.58
LE5032	2 X 1-1/4	48.3	53.3	0.71
LE5040	2 X 1-1/2	51.3	54.9	0.76
LE8065	3 X 2-1/2	71.9	75.9	2.10

Galvanised Malleable Hexagon Reducing Nipple

Galvanised Malleable Hexagon Reducing Nipple			
AAP CODE	IMPERIAL SIZE	A	APPROX KG/PC
LN0806	1/4 X 1/8	32	0.02
LN1006	3/8 X 1/8	38	0.03
LN1008	3/8 X 1/4	38	0.03
LN1508	1/2 X 1/4	44	0.05
LN1510	1/2 X 3/8	44	0.05
LN2010	3/4 X 3/8	47	0.1
LN2015	3/4 X 1/2	47	0.1
LN2515	1 X 1/2	53	0.12
LN2520	1 X 3/4	53	0.12
LN3215	1-1/4 X 1/2	57	0.22
LN3220	1-1/4 X 3/4	57	0.22
LN3225	1-1/4 X 1	57	0.22
LN4015	1-1/2 X 1/2	59	0.3
LN4020	1-1/2 X 3/4	59	0.3
LN4025	1-1/2 X 1	59	0.3
LN4032	1-1/2 X 1-1/4	59	0.3
LN5015	2 X 1/2	68	0.4
LN5020	2 X 3/4	68	0.4
LN5025	2 X 1	68	0.42
LN5032	2 X 1-1/4	68	0.42
LN5040	2 X 1-1/2	68	0.42
LN6540	2-1/2 X 1-1/2	75	0.69
LN6550	2-1/2 X 2	75	0.69
LN8050	3 X 2	83	1
LN8065	3 X 2-1/2	83	1
LN9450	4 X 2	92	1.42
LN9465	4 X 2-1/2	92	1.42
LN9480	4 X 3	92	1.42



Galvanised Malleable Female-Female Elbow 45 Degree

Galvanised Malleable Female-Female Elbow 45 Degree			
AAP CODE	IMPERIAL SIZE	A	APPROX KG/PC
LEF15	1/2	22.4	0.10
LEF20	3/4	24.9	0.15
LEF25	1	28.5	0.23
LEF32	1-1/4	32.8	0.33
LEF40	1-1/2	36.3	0.46
LEF50	2	42.7	0.70
LEF65	2-1/2	49.5	1.26
LEF80	3	55.1	2.04
LEF94	4	66.3	3.38

