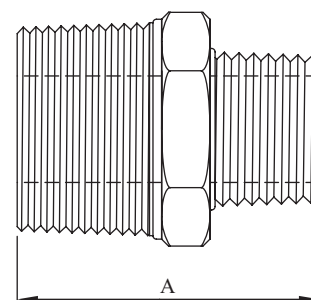


Galvanised Malleable Hexagon Reducing Nipple

Galvanised Malleable Hexagon Reducing Nipple			
AAP CODE	IMPERIAL SIZE	A	APPROX KG/PC
LN0806	1/4 X 1/8	32	0.02
LN1006	3/8 X 1/8	38	0.03
LN1008	3/8 X 1/4	38	0.03
LN1508	1/2 X 1/4	44	0.05
LN1510	1/2 X 3/8	44	0.05
LN2010	3/4 X 3/8	47	0.1
LN2015	3/4 X 1/2	47	0.1
LN2515	1 X 1/2	53	0.12
LN2520	1 X 3/4	53	0.12
LN3215	1-1/4 X 1/2	57	0.22
LN3220	1-1/4 X 3/4	57	0.22
LN3225	1-1/4 X 1	57	0.22
LN4015	1-1/2 X 1/2	59	0.3
LN4020	1-1/2 X 3/4	59	0.3
LN4025	1-1/2 X 1	59	0.3
LN4032	1-1/2 X 1-1/4	59	0.3
LN5015	2 X 1/2	68	0.4
LN5020	2 X 3/4	68	0.4
LN5025	2 X 1	68	0.42
LN5032	2 X 1-1/4	68	0.42
LN5040	2 X 1-1/2	68	0.42
LN6540	2-1/2 X 1-1/2	75	0.69
LN6550	2-1/2 X 2	75	0.69
LN8050	3 X 2	83	1
LN8065	3 X 2-1/2	83	1
LN9450	4 X 2	92	1.42
LN9465	4 X 2-1/2	92	1.42
LN9480	4 X 3	92	1.42



Galvanised Malleable Female-Female Elbow 45 Degree

Galvanised Malleable Female-Female Elbow 45 Degree			
AAP CODE	IMPERIAL SIZE	A	APPROX KG/PC
LEF15	1/2	22.4	0.10
LEF20	3/4	24.9	0.15
LEF25	1	28.5	0.23
LEF32	1-1/4	32.8	0.33
LEF40	1-1/2	36.3	0.46
LEF50	2	42.7	0.70
LEF65	2-1/2	49.5	1.26
LEF80	3	55.1	2.04
LEF94	4	66.3	3.38

