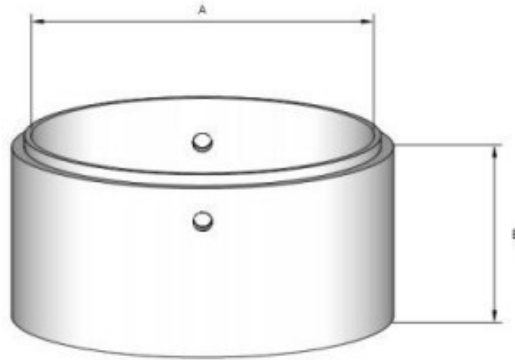


LINER 4

Scale 1:20

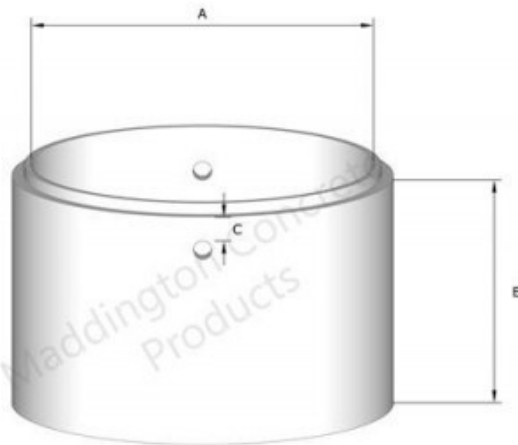


INTERLOCKING (WALL THICKNESS 60mm)

CODE	SIZES INTERNAL Ø x DEPTH (mm) (mm)		CAPACITY FULL HEIGHT (ltrs)	WEIGHT (kg)
	A	B		
E10	900	X 1200	763	530
E10A	900	X 1200 w/base cast in	700	700
E11	900	X 900	572	400
E11A	900	X 900 w/base cast in	510	540
E12	900	X 600	381	260
E12C	900	X 600 w/base cast in	320	350
E12A	900	X 300	190	150

- All Liners have an Interlocking spigot of approximately 30mm which is in addition to depth.
- All Liners have 2 x 1.3T Lifting Anchors.
- There are No piping holes in this product range
- Manufactured with 40mpa concrete and Reinforced 5mm wire cage
- Lid size suitable is 1000mm and Base size suitable is 1150 mm diameter
- Please contact your local council for the sizing requirements for your area.

LINER 3
Scale 1:20

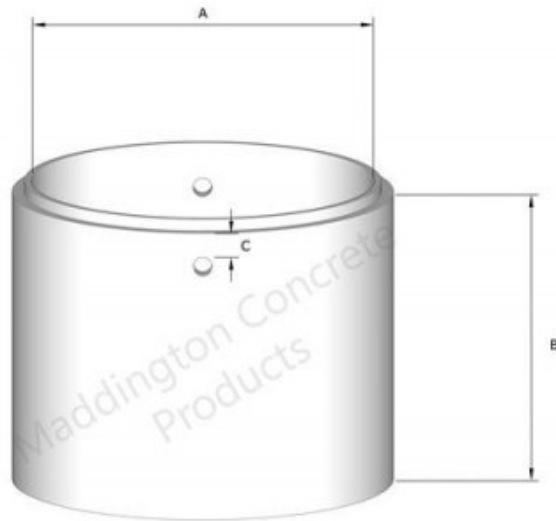


INTERLOCKING (WALL THICKNESS 75mm)

CODE	SIZES			CAPACITY FULL HEIGHT (LTRS)	WEIGHT (KG)
	INTERNAL Ø (MM)	X	DEPTH (MM)		
	A		B		
E05	1200	X	1500	1697	1100
E04BB	1200	X	1500 w/base cast in	1610	1400
E06	1200	X	1200	1357	880
E05A	1200	X	1200 w/base cast in	1270	1200
E06A	1200	X	900	1018	650
E06AA	1200	X	900 w/base cast in	930	900
E07	1200	X	600	678	430
E07A	1200	X	300	339	220

- All Liners have an Interlocking spigot of approximately 30mm which is in addition to depth.
- All Liners have 2 x 1.3T Lifting Anchors.
- All Liners have 2 x 100mm Knock out Holes located approx: 110-180mm from Top of Tank (C)
- Manufactured with 40mpa concrete and Reinforced 5mm wire cage
- Lid size suitable is 1350mm and Base size suitable is 1450mm diameter.
- Please contact your local council for the sizing requirements for your area.

LINER 2
Scale 1:20

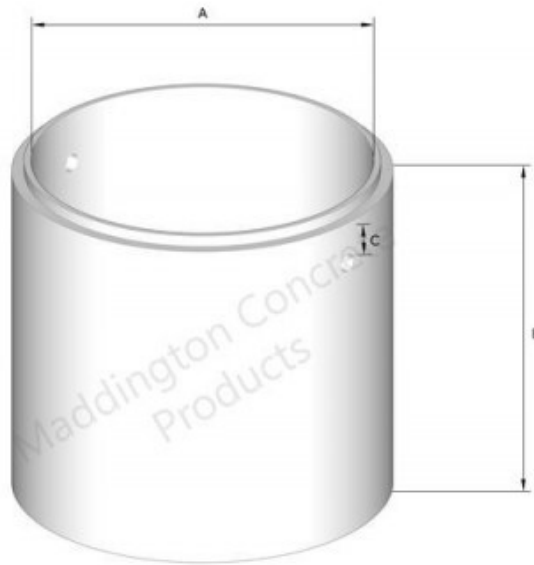


INTERLOCKING (WALL THICKNESS 90mm)

CODE	SIZES		CAPACITY FULL HEIGHT (LTRS)	WEIGHT (KG)
	INTERNAL Ø (MM)	DEPTH (MM)		
	A	B		
E02	1500	X 1500	2650	1400
E02B	1500	X 1500 w/base cast in	2518	1840
E03	1500	X 1200	2120	1100
E03B	1500	X 1200 w/base cast in	1985	1500
E03C	1500	X 900	1590	800
E03E	1500	X 900 w/base cast in	1455	1200
E04	1500	X 600	1060	520
E04A	1500	X 300	530	300

- All Liners have an Interlocking spigot of approximately 30mm which is in addition to depth.
- All Liners have 2 x 1.3T Lifting Anchors.
- All Liners have 2 x 100mm Knock out Holes located approx. 180mm from Top of Tank(C)
- Manufactured with 40mpa concrete and Reinforced 5mm wire cage
- Lid size suitable is 1650mm and Base size suitable is 1700mm diameter
- Please contact your local council for the sizing requirements for your area.

LINER 1
Scale 1:20



INTERLOCKING (WALL THICKNESS 90mm)

CODE	SIZES			CAPACITY FULL HEIGHT (LTRS)	WEIGHT (KG)
	INTERNAL Ø (MM)	X	DEPTH (MM)		
	A		B		
D90	1800	X	1800	4580	2400
D90A	1800	X	1800 w/base cast in	4390	3600
D91	1800	X	1500	3816	2000
D91A	1800	X	1500 w/base cast in	3625	3100
E0	1800	X	1200	3050	1530
E	1800	X	1200 w/base cast in	2863	2630
E00	1800	X	900	2290	1140
E00AA	1800	X	900 w/base cast in	2100	2240
E01	1800	X	600	1525	750
E01AA	1800	X	600 w/base cast in	1336	1850
E01B	1800	X	300	763	420

- All Liners have an **Interlocking spigot** of approximately **30mm** which is in addition to depth.
- All Liners have **2x Lifting/Piping Holes** approx. **100mm** diameter, located approx. **220mm** from top of tank (C)
- Manufactured with **40mpa concrete** and **Reinforced 5mm wire cage**
- **Lid size** and **Separate Base** size suitable are **2000mm** diameter.
- Please contact your local council for the sizing requirements for your area.